



DATA SHEET

DC Leakage Current Sensor

PN: CHD_CRS912D5

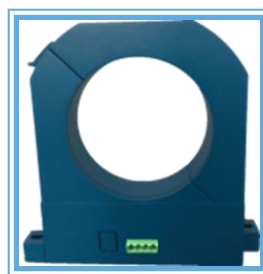
IPN=10~200mA

Feature

- DC Leakage Current Sensor develops on base of magnetic modulation closed loop principle
- Apply unique patented technology for measure tiny current (mA level)
- Supply voltage: DC $\pm 12V$

Advantages

- High accuracy
- Easy installation
- Wide current measuring range
- Optimized response time
- Low power consumption
- High immunity to external interference
- Very good linearity
- Can be customized



Applications

- The current detection of the lift
- DC panel detection
- The signal system
- Current differential detection
- UPS and Inverter applications



RoHS

Electrical data: (Ta=25°C, Vc= ±15VDC, RL=10KΩ)

Parameter Ref	CHD10 CRS912D5	CHD20 CRS912D5	CHD50 CRS912D5	CHD100 CRS912D5	CHD200 CRS912D5
Rated input Ipn (mA DC)	±10	±20	±50	±100	±200
Measuring range Ip (mA DC)	0~±20	0~±50	0~±100	0~±200	0~±300
Output voltage Vo(V)	DC ±5V, 4-20mA, 0-20mA (±1%)				
Supply voltage VC(V)	DC ±12V~±15V (±5%)				
Accuracy XG(%)	@IPN,T=25°C		≤±1		
Offset voltage V _{OE} (mV)	@IP=0,T=25°C		<±50		
Offset voltage drift V _{OT} (mV/°C)	@IP=0,10~+60°C		≤±5.0		
Linearity error εr(%FS)			≤1.0		
Power consumption IC(mA)			<20		
Insulation voltage (KV)	@50/60Hz, 1min		2.5		

General data:

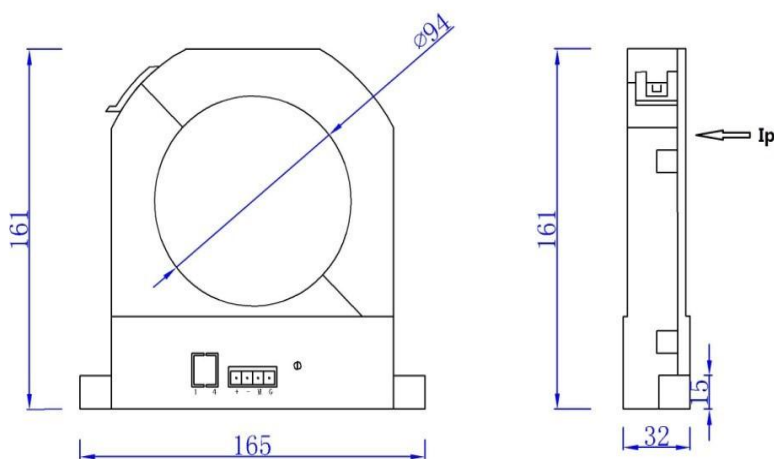
Parameter	Value
Operating temperature TA(°C)	-20+75



Cheemi Technology Co., Ltd
 Tel: 025-85996365 E-mail: info@cheemi-tech.com www.cheemi-tech.com
 Add: N22, Xianlongwan, Xianyin South Road, Qixia District, Nanjing - China.

Storage temperature TS(°C)	-40~+85
Load resistance (RL)	≥10K
Mass (g)	480g
Plastic material	PBT G30/G15, UL94- V0;
Standards	IEC60950-1:2001
	EN50178:1998
	SJ20790-2000

Dimensions(mm):



管脚说明:

+ --- V+
 - --- V-
 M --- Output
 G --- Gnd

Pin definition: 1: +(V_{cc}) 2: -(V_{cc}) 3: M (V_{out}) 4: G(GND) OFS: Zero adjustment (5.08 terminal)
 1: +(V_{cc}) 2: G(GND) 3: M (V_{out}) 4: -(V_{cc}) OFS: Zero adjustment (4P RJ11)

Remarks:

- During the installation process, on the sensor, close attention should be paid to side core interface is aligned, not forcibly closed.
- When the current goes through the primary pin of a sensor, the voltage will be measured at the output end.
- Custom design is available for the different rated input current and the output voltage.
- The dynamic performance is the best when the primary hole if fully filled with.
- The primary conductor should be <100°C.

WARNING : Incorrect wiring may cause damage to the sensor.



Cheemi Technology Co., Ltd
 Tel: 025-85996365 E-mail: info@cheemi-tech.com www.cheemi-tech.com
 Add: N22, Xianlongwan, Xianyin South Road, Qixia District, Nanjing - China.