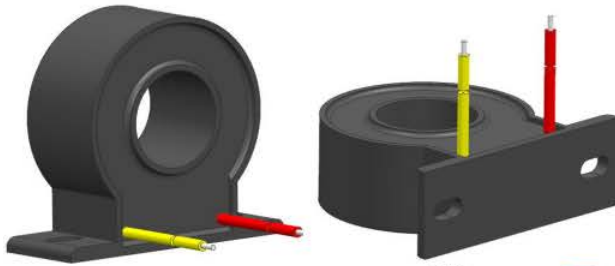


### Features



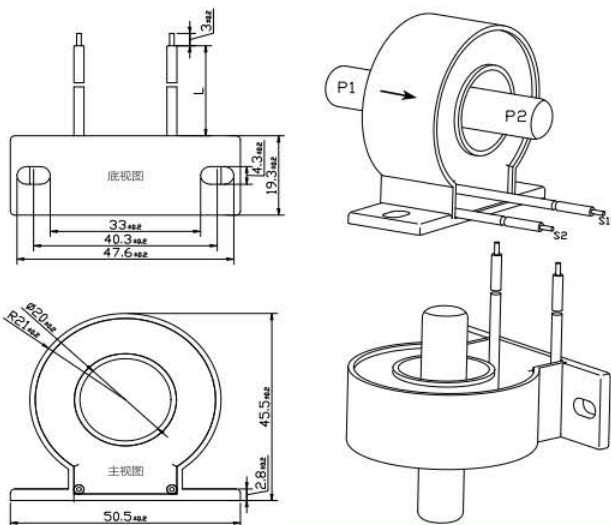
- Using high magnetic permeability ultra-microcrystalline iron core
- Working temperature range: -40°C to +75°C
- Pure copper enameled wire has high winding precision and good linearity
- Epoxy resin potting with high pressure resistance level
- Small size, strong anti-interference ability
- Altitude does not exceed 1000m
- Relative humidity: ≤95°C
- All plastic shell, flame retardant conforms to UL94V-0
- Conform to GB 1208-2006、JB/T 10665-2006

This product is a miniature current transformer, the primary input current through the conductor core, through the internal magnetic core into the secondary side of the milliampere current, and connected to the resistor for sampling value or through the circuit amplifier value; The product is widely used in multifunctional electronic energy meter, anti-theft meter, digital display meter, etc., and can also be used in power transmitter, telemetry and remote control data acquisition system, relay protection and other digital instruments and meters.

### Electrical performance parameter Ta=25°C

Project	Symbol	B type 100A/20mA	C type 200A/40mA	Unit
Rated input current	IPN	100	200	A
Measuring current range	IP	1~160	10~240	A
Turn ratio (Np/Ns)	KN	1:5000	1:5000	T
Secondary load	Rf	≤200	≤100	Ω
Ratio difference component	XPN	IPN →1~1600%@±0.1	IPN →5~120%@±0.1	%
Angle difference component	δPN	IPN →1~1600%@±10	IPN →5~120%@±15	'
Power frequency withstand voltage	VD	50Hz@rms /1min / > 3000		V
working frequency	f	45~10K		Hz
Insulation resistance	VDR	DC500V /1min / > 500		MΩ

### Dimensions drawing unit (mm)



### Wiring Instructions

- P1→ The primary pin is input into the positive pole
- P2→Primary pin input negative terminal
- S1→Secondary pin output terminal positive
- S2→ Negative pole of secondary pin output terminal
- \* → Dotted terminal

### Mechanical parameters

Shell material: black flame retardant ABS  
 Medium filling: epoxy resin  
 I/O mode: 1007-24 # @ awg flexible cable outlet Hole \* L \* W \* H: φ 20 \* 50.5 \* 45.5 \* 19.5  
 Weight: < 90g