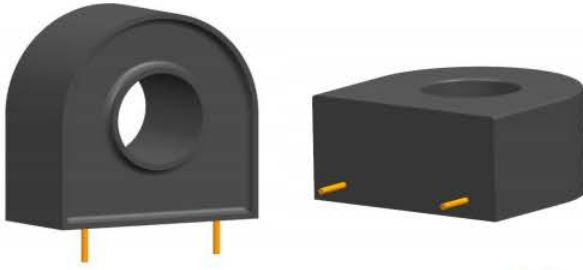


Features



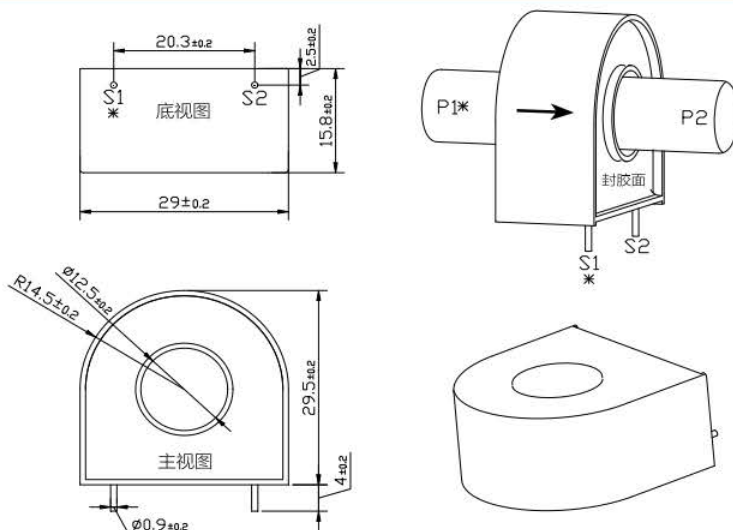
- Using high magnetic permeability ultra-microcrystalline iron core
- Working temperature range: -40°C to +75°C
- Pure copper enameled wire has high winding precision and good linearity
 - Epoxy resin potting with high pressure resistance level
 - Small size, strong anti-interference ability
 - Altitude does not exceed 1000m
 - Relative humidity: $\leq 95^\circ\text{C}$
- All plastic shell, flame retardant conforms to UL94V-0
- Conform to GB 1208-2006, JB/T 10665-2006

This product is a miniature current transformer, the primary input current through the conductor core, through the internal magnetic core into the secondary side of the milliampere current, and connected to the resistor for sampling value or through the circuit amplifier value; The product is widely used in multifunctional electronic energy meter, anti-theft meter, digital display meter, etc., and can also be used in power transmitter, telemetry and remote control data acquisition system, relay protection and other digital instruments and meters.

Electrical performance parameter $T_a=25^\circ\text{C}$

| Project | Symbol | B type 100A/100mA | C type 50A/25mA | Unit |
|-----------------------------------|-------------|---|--|------------|
| Rated input current | IPN | 5 | 50 | A |
| Measuring current range | IP | 0.5~100 | 2.5~60 | A |
| Turn ratio (N_p/N_s) | KN | 1:1000 | 1:2000 | T |
| Secondary load | Rf | ≤ 10 | ≤ 50 | Ω |
| Ratio difference component | XPN | IPN $\rightarrow 5\sim 2000\% @ \leq \pm 0.5$ | IPN $\rightarrow 5\sim 120\% @ \leq \pm 0.1$ | % |
| Angle difference component | δ PN | IPN $\rightarrow 5\sim 2000\% @ \leq \pm 60$ | IPN $\rightarrow 5\sim 120\% @ \leq \pm 15$ | ' |
| Power frequency withstand voltage | VD | 50Hz@rms /1min / > 3000 | | V |
| working frequency | f | 45~10K | | Hz |
| Insulation resistance | VDR | DC500V /1min / > 500 | | M Ω |

Dimensions drawing unit (mm)



Wiring Instructions

- P1 → The primary pin is input into the positive pole
- P2 → Primary pin input negative terminal
- S1 → Secondary pin output terminal positive
- S2 → Negative pole of secondary pin output terminal
- * → Dotted terminal

Mechanical parameters

- Shell material: black flame retardant ABS
- Medium filling: epoxy resin
- I/O mode: 0.8mm gold-plated pin pcb
- installation: Hole*L*W*H:
 $\phi 12.5 * 29 * 29.5 * 15$
- Weight: < 50g