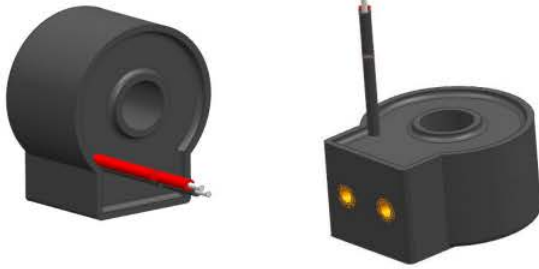


### Features



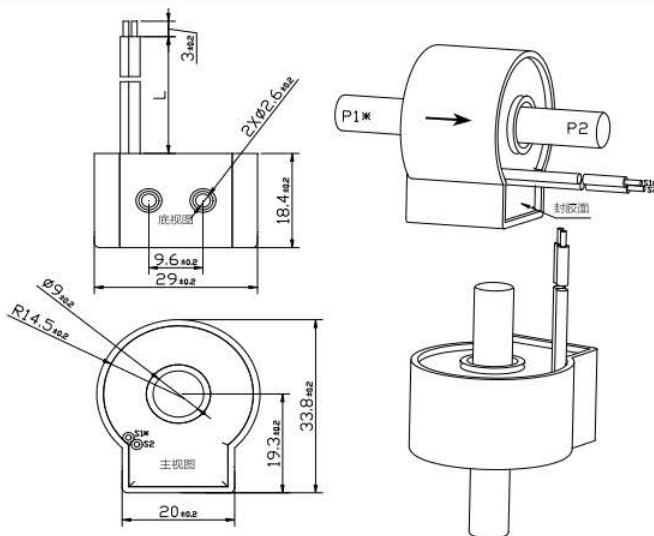
- Using high magnetic permeability ultra-microcrystalline iron core
- Working temperature range: -40°C to +75°C
- Pure copper enameled wire has high winding precision and good linearity
- Epoxy resin potting with high pressure resistance level
- Small size, strong anti-interference ability
- Altitude does not exceed 1000m
- Relative humidity:  $\leq 95^\circ\text{C}$
- All plastic shell, flame retardant conforms to UL94V-0
- Conform to GB 1208-2006、JB/T 10665-2006

This product is a miniature current transformer, the primary input current through the conductor core, through the internal magnetic core into the secondary side of the milliamper current, and connected to the resistor for sampling value or through the circuit amplifier value; The product is widely used in multifunctional electronic energy meter, anti-theft meter, digital display meter, etc., and can also be used in power transmitter, telemetry and remote control data acquisition system, relay protection and other digital instruments and meters.

### Electrical performance parameter $T_a=25^\circ\text{C}$

Project	Symbol	50A/25mA	Unit
Rated input current	IPN	50	A
Measuring current range	IP	0.5~75	A
Turn ratio (Np/Ns)	KN	1:2000	T
Secondary load	Rf	$\leq 100$	$\Omega$
Ratio difference component	XPN	IPN $\rightarrow 1 \sim 150\% @ \pm 0.1$ when Rf=100 $\Omega$	%
Angle difference component	$\delta$ PN	IPN $\rightarrow 1 \sim 150\% @ \pm 15$ when Rf=100 $\Omega$	'
Power frequency withstand voltage	VD	50Hz@rms /1min / > 3000	V
working frequency	f	45~10K	Hz
Insulation resistance	VDR	DC500V /1min / > 500	M $\Omega$

### Dimensions drawing unit (mm)



### Wiring Instructions

- P1→ The primary pin is input into the positive pole
- P2→Primary pin input negative terminal
- S1→Secondary pin output terminal positive
- S2→ Negative pole of secondary pin output terminal
- \* → Dotted terminal

### Mechanical parameters

Shell material: black flame retardant ABS  
 Medium filling: epoxy resin  
 I/O mode: 1007-26 # @ awg flexible  
 cable outlet Hole \* L \* W \* H::  $\phi 9.0 * 29 * 33.8 * 18.4$   
 Weight: < 35g